

## BH160808 Series

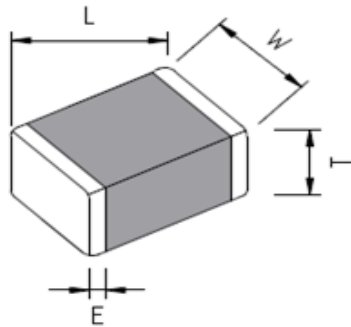
### Features :

- Use on high current circuits due to its low DC resistance.
- Meet power lines to the maximum at 3A DC.
- For EMI suppression of the high DC current power line.
- Operating temperature range of -55°C to +125°C
- Storage temperature range of -40°C to +85°C

### Applications :

- Various power lines of electronic equipment.
- Various automotive electronics.
- Mother board, tablet PC, laptop, desktop computer and peripheral equipment.

### Shapes And Dimensions : (Unit :mm)



L	W	T	E
1.6 ± 0.15	0.8 ± 0.15	0.8 ± 0.15	0.2~0.6

### Part Number Code :

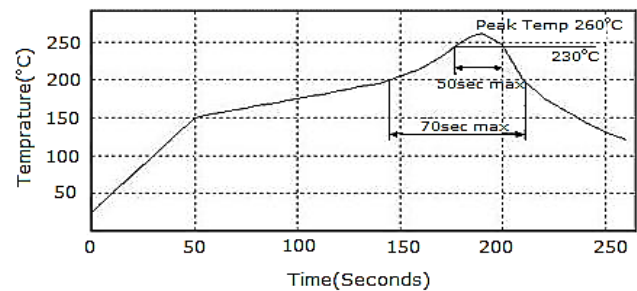
**BH 160808 A 121 -E**

①      ②      ③      ④      ⑤

- 1 : Series
- 2 : Dimensions L x W x T
- 3 : Material Code
- 4 : Normal Impedance
- 5 : Lead-Free

### Reflow Profile :

Peak Temp : 260°C  
Max time above 230°C 50sec  
Max time above 200°C 70sec



### BH160808 Series

Part No.	Impedance $\Omega \pm 25\% @ 100\text{MHz}$	DCR( $\Omega$ ) (max.)	Rated Current (mA) (max.)
BH160808A300	30	0.04	3000
BH160808A600	60	0.04	3000
BH160808A121 2A	120	0.05	2000
BH160808A221 2A	220	0.08	2000
BH160808A601 1A	600	0.30	1000

